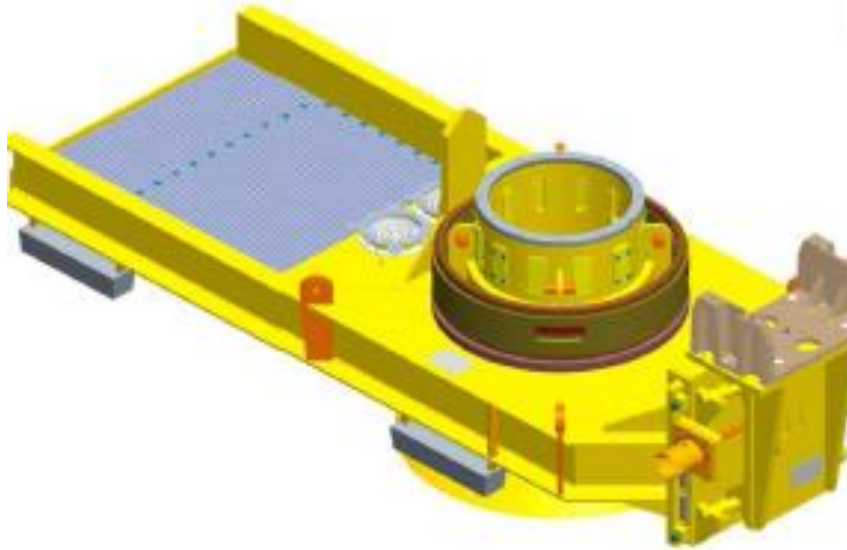


PGB (Permanent Guide Base)



PRODUCT DESCRIPTION:

Fabrication of Permanent Guide Bases (PGB)

The PGB serves as the foundation for a satellite installed X-mas tree.

PRODUCT CHARACTERISTICS:

Typical parameters (all tailor made on customers design) :

- Dimensions (w x l x h) : 2m x 4m x 1m
- Weight (tonn) : 10-15 t
- Materials : CS